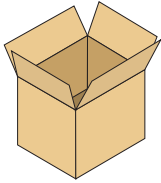




Fully Automatic Tape Sealer  
Up to 25 cases per minute



**RSC Case**  
The BEL 252  
seals RSC  
cases.



## Fully Automatic Case Taper



### Squareness Assured

BEL's innovative and powerful Uni-Drive system synchronizes conveyor belt speed, eliminating case skew, so that cases leave the machine squarely taped.



### Ultra Safe Flap Folder

Snap Folder flap folding technology safeguards personnel by eliminating the traditional "flap kicker", which can cause serious injury, and the need for expensive machine guarding.



### Superior Tape Application

The BEL 252 is equipped with state-of-the-art DEKKA High Performance stainless steel tape heads that are easily loaded in or out of the machine in 30 seconds or less.



### Easy Case Change

The BEL 252 is user-friendly, enabling the operator to make box size changes from either side of the machine quickly and easily, in 30 seconds or less.

BEL 252 Case Sealer

# BEL 252 Fully Automatic Top and Bottom Case Taper

## BEL 252 Features

- BEL's revolutionary Snap Folder design safely folds top flaps and eliminates the use of a dangerous flap kicker which can cause injuries
- The paint free finish guards against contamination from flaking or peeling paint
- Magnetic motor starter protects operators from accidental re-starts after a power interruption and protects motor against power overload
- Uni-Drive squaring mechanism means more presentable cases
- Quick open top pulleys enable drive belts to be replaced in minutes reducing maintenance and down time
- Standard DEKKA 22 Stainless Steel 2" tape heads and optional DEKKA 3" tape heads are available

## Complete Solution



### BEL 505 Case Former

The BEL 505 improves efficiency and ergonomics. Inserting a case into the BEL 505 results in all four bottom flaps being automatically folded, leaving hands free to pack.



### BEL 252X Oversize Case Taper

The oversize model is available to accommodate larger case requirements. Consult factory for case size ranges.



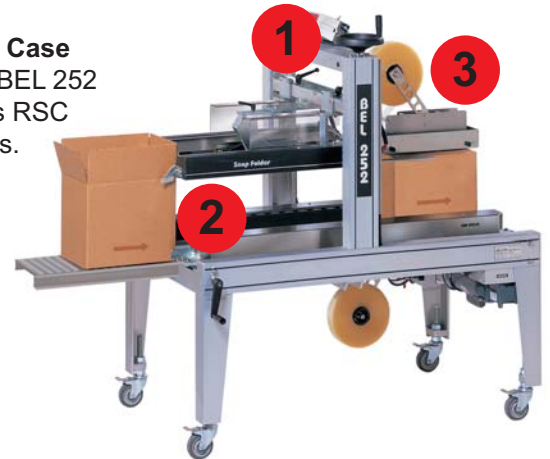
### S10 Weigh Scale

Machines can be equipped with weigh scales to allow the operator to monitor or check weigh products being loaded before case sealing.

## How the BEL 252 Works

### RSC Case

The BEL 252 seals RSC cases.



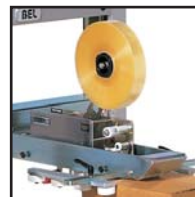
### 1 Quick Change Handle

A quick three-step size change with simple hand wheel and clamp adjustments, enable the BEL 252 to seal a wide range of case sizes.



### 2 Snap Folder

Cases are automatically folded with BEL's safe snap folding technology. This protects personnel by eliminating the traditional "flap flicker".



### 3 Top & Bottom Sealed

Superior case sealing performance is achieved with its quality tape application. The BEL 252 comes standard with DEKKA tape heads.

## BEL 252 Specifications

| Case Size Range   | Length           | Width         | Height           |
|---|------------------|---------------|------------------|
| Minimum   | 8"<br>203 mm     | 6"<br>152 mm  | 4 1/2"<br>114 mm |
| Maximum   | 22"<br>559 mm    | 15"<br>381 mm | 16"<br>406 mm    |
| <b>Infeed/Outfeed Height</b> (with adjustable foot pads)        |                  |               |                  |
| Minimum   | 23 1/2" (597 mm) |               |                  |
| Maximum   | 32" (813 mm)     |               |                  |
| Machine Speed: Up to 25 cases per minute depending on box size. |                  |               |                  |
| Oversize model available: consult factory for case size ranges. |                  |               |                  |

\* Specifications are subject to change without notice.



Wexxar Packaging Inc.  
10101 Nordel Court  
Delta, BC Canada  
V4G 1J8

Phone: 604-930-9300  
Fax: 604-930-9368  
Email: sales@wexxar.com  
Web: www.wexxar.com

a division of Pro Mach 

Backed by Wexxar's warranty and experienced, nationwide service team.